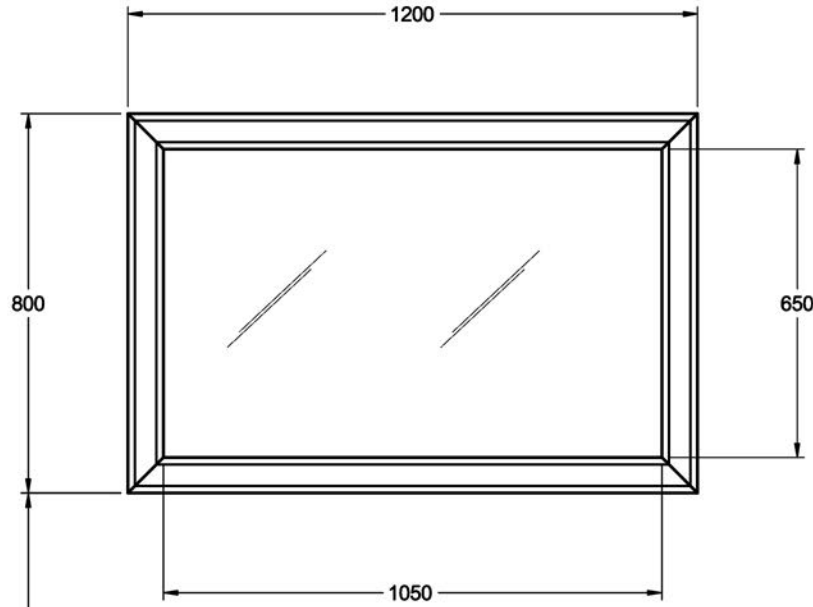


FINISHED WALL

35



1100

FINISHED FLOOR

1900

FINISHED WALL

