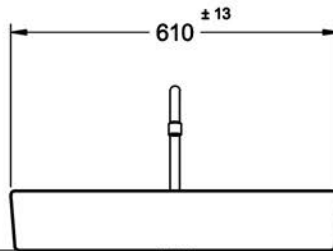
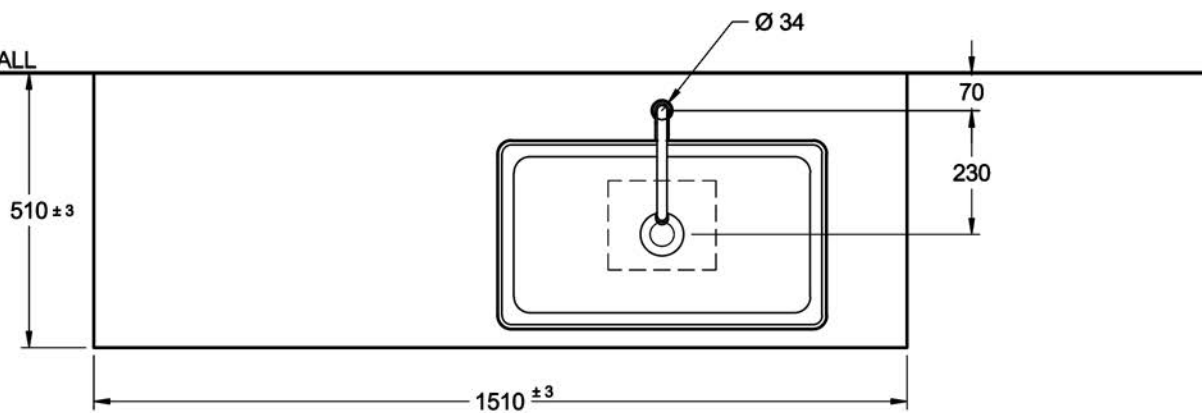
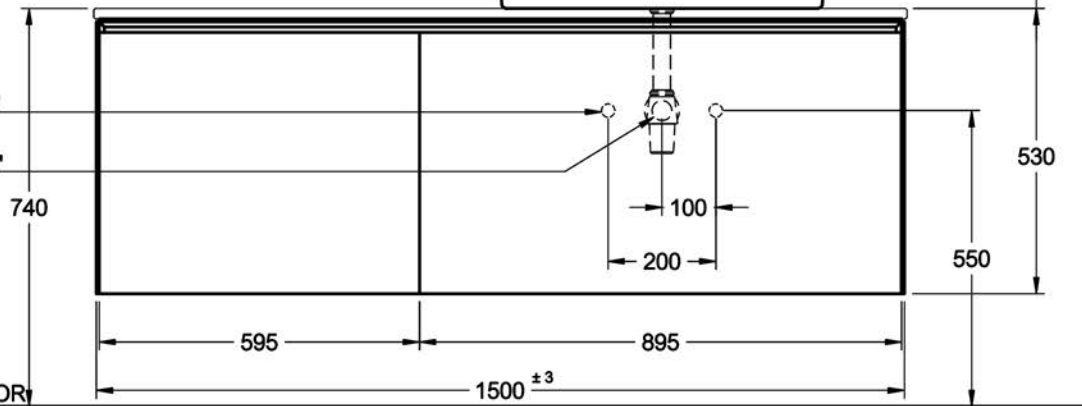


FINISHED WALL

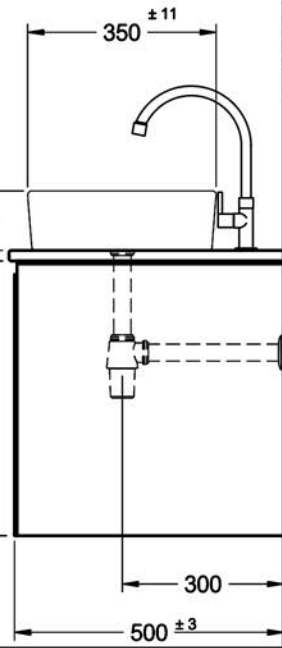


WATER SUPPLY $\varnothing 1/2"$

DRAIN $\varnothing 1 1/2"$



FINISHED FLOOR



FINISHED WALL