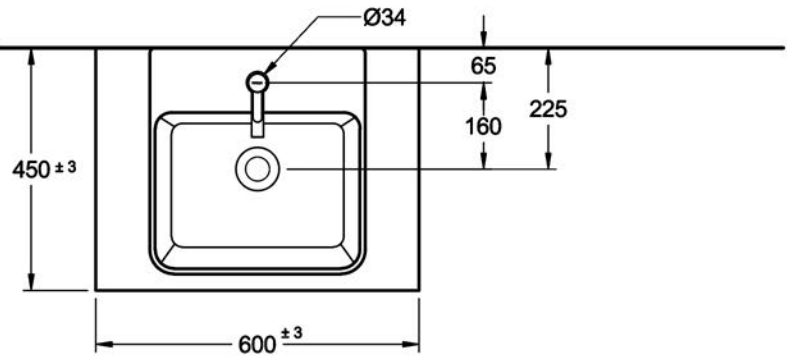
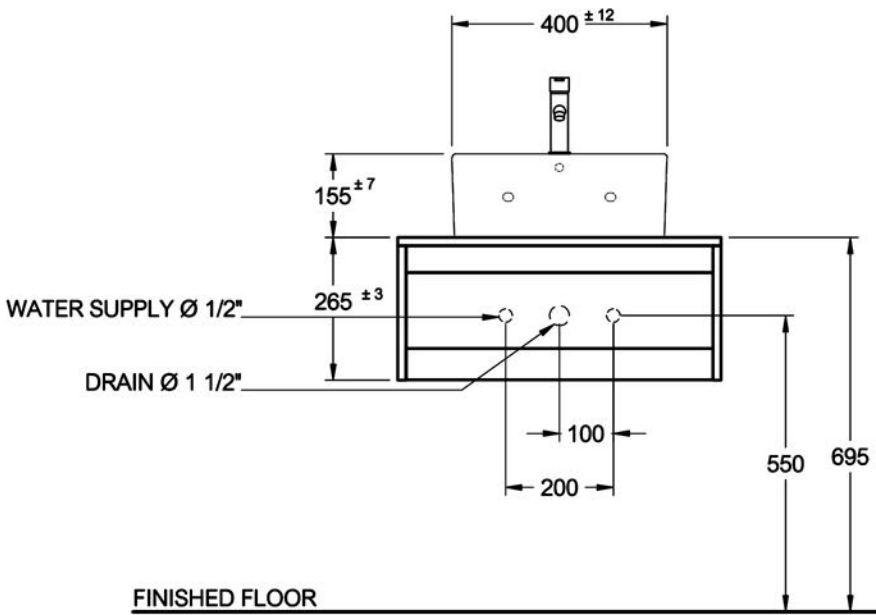


FINISHED WALL



FINISHED FLOOR



WATER SUPPLY  $\text{Ø} 1/2"$

DRAIN  $\text{Ø} 1 1/2"$

FINISHED WALL

