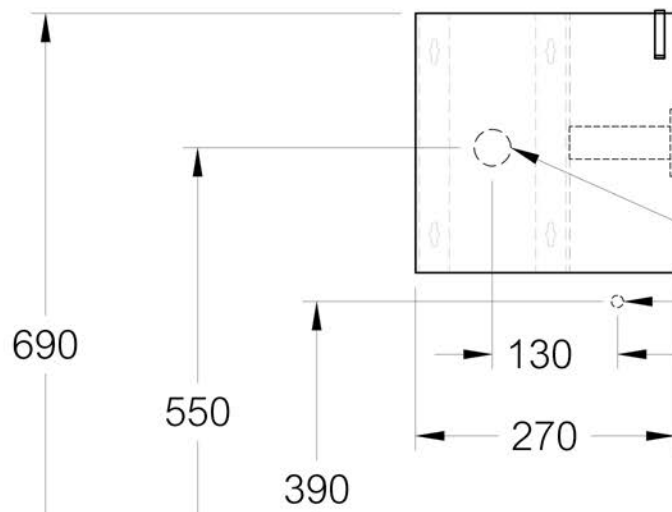
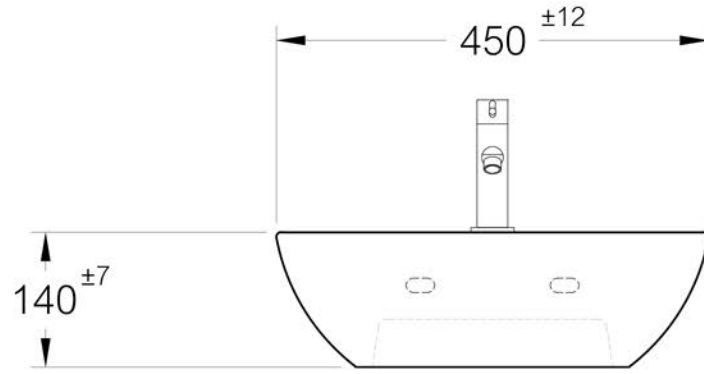
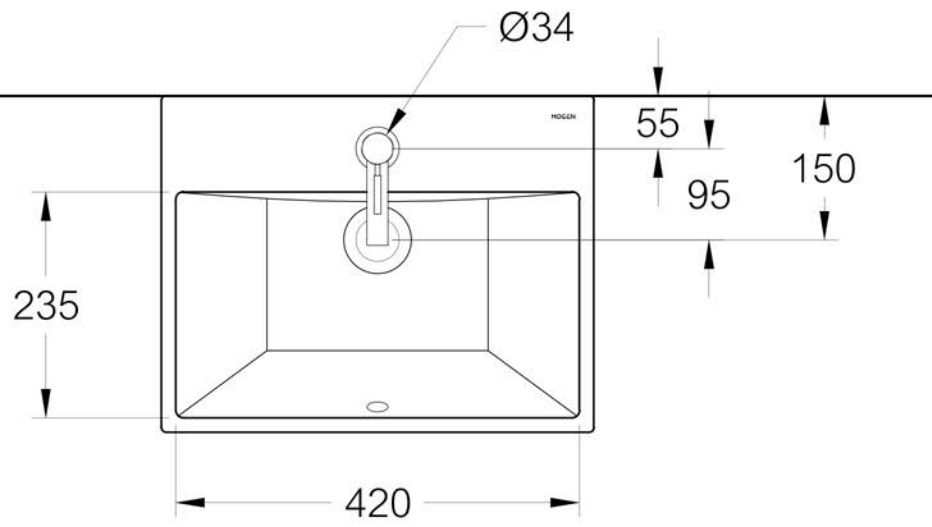
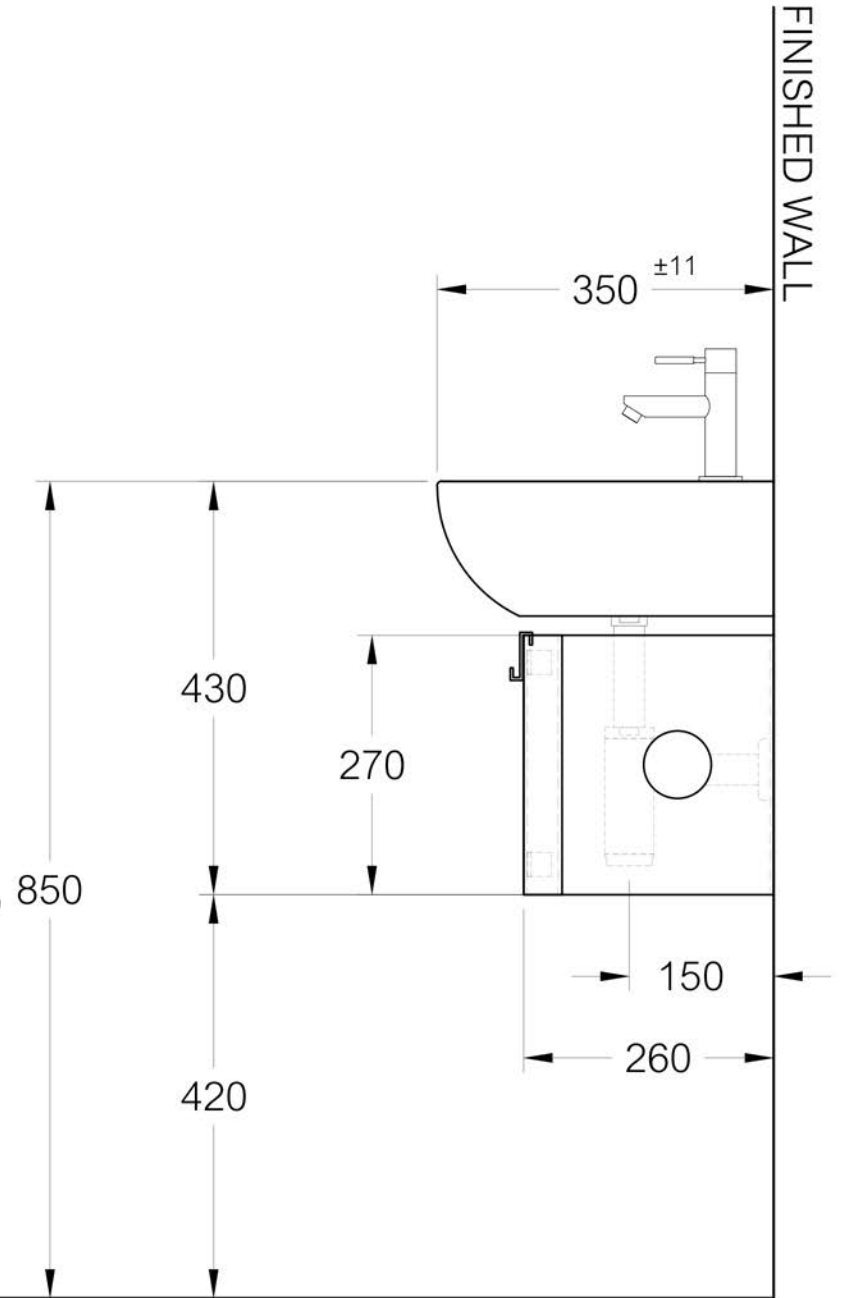


FINISHED WALL



DRAIN  $\text{Ø} 1 \frac{1}{2}$ "

WATER SUPPLY  $\text{Ø} \frac{1}{2}$ "



FINISHED WALL

FINISHED FLOOR