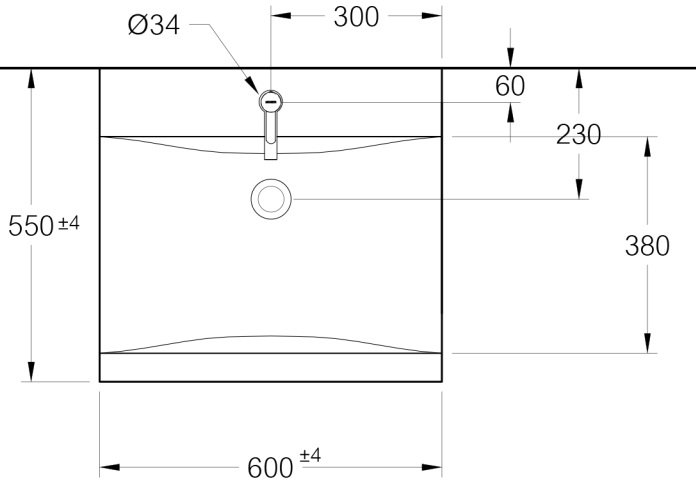
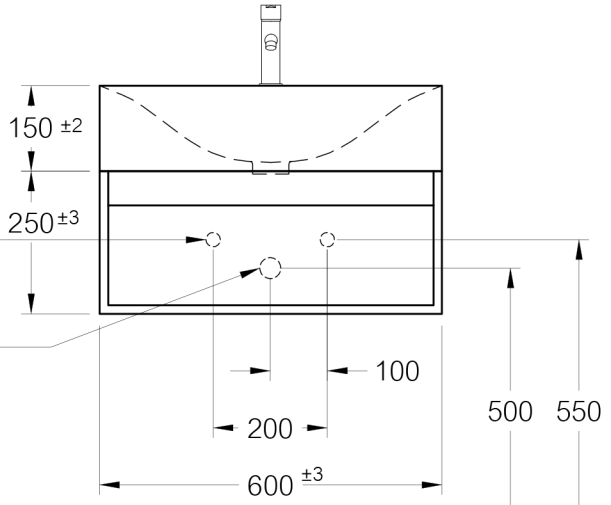


FINISHED WALL



WATER SUPPLY $\text{Ø } 1/2''$

DRAIN $\text{Ø } 1 1/2''$



FINISHED FLOOR

FINISHED WALL

