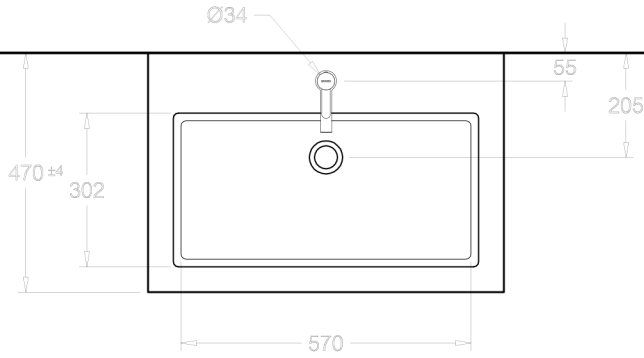
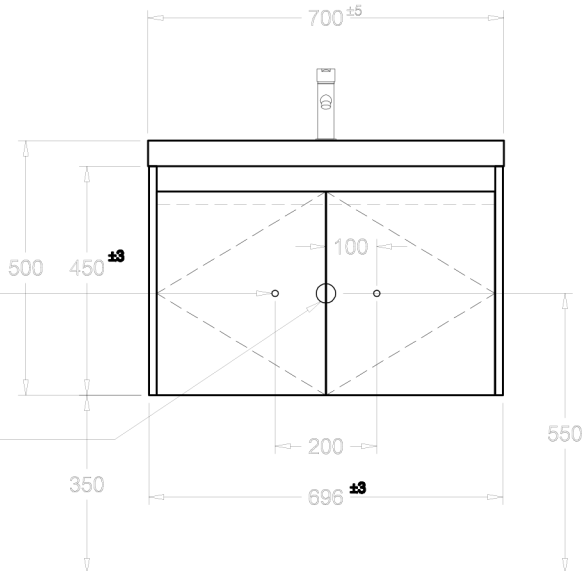


**FINISHED WALL**

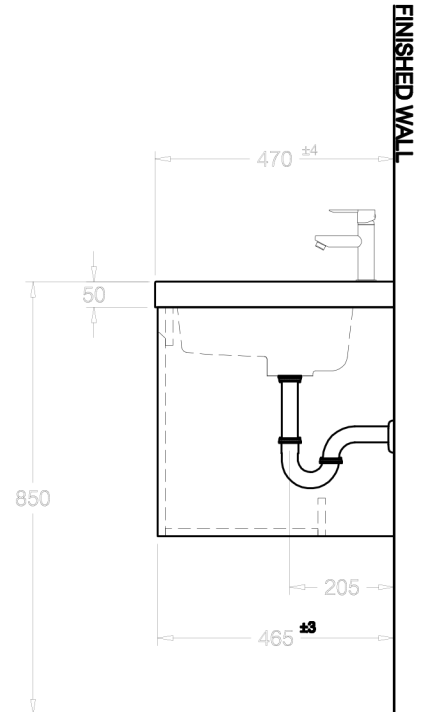


**WATER SUPPLY Ø 1/2"**



**DRAIN Ø 1 1/2"**

**FINISHED FLOOR**



**FINISHED WALL**