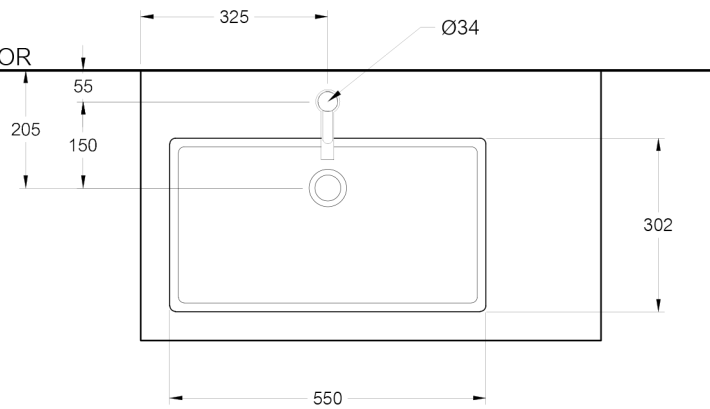


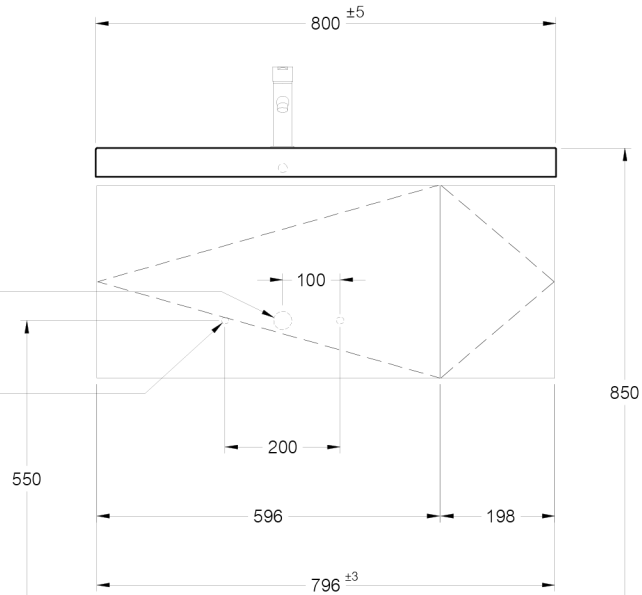
FINISHED FLOOR



WATER SUPPLY  $\text{Ø} 1/2''$

DRAIN  $\text{Ø} 1 1/2''$

FINISHED FLOOR



400

350  $\pm 3$

450

FINISHED WALL

