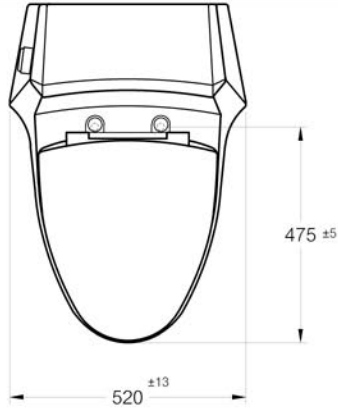


FINISHED WALL

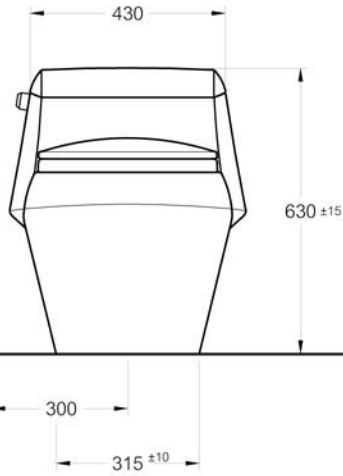


WATER SUPPLY  $\varnothing 1/2"$

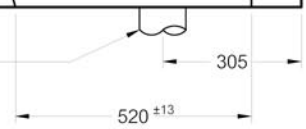


200

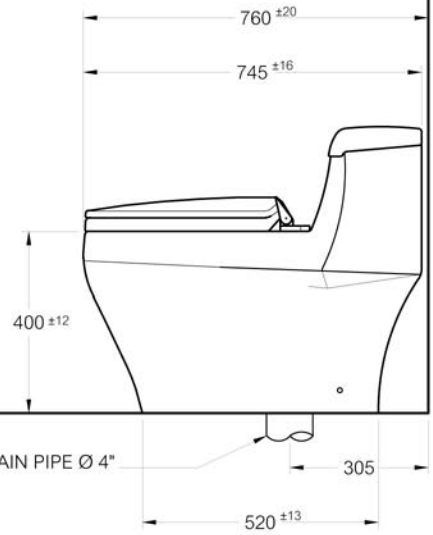
FINISHED FLOOR



DRAIN PIPE  $\varnothing 4"$



520  $\pm 13$



FINISHED WALL