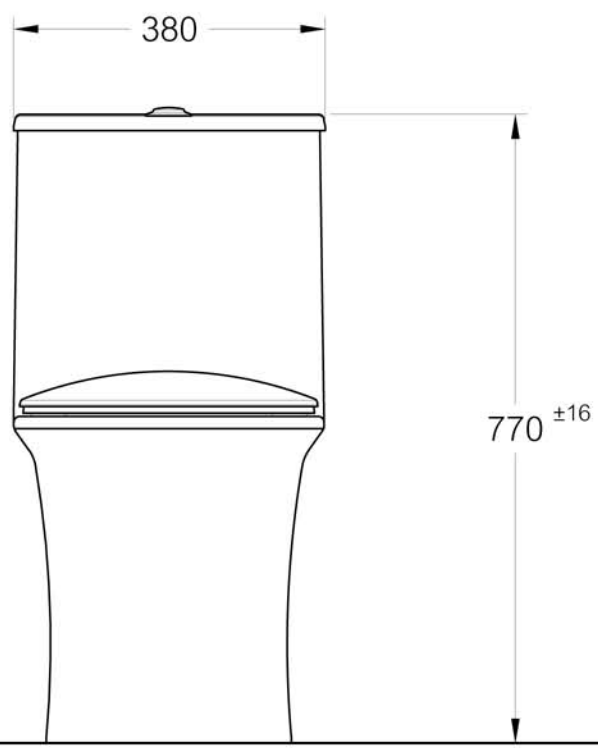
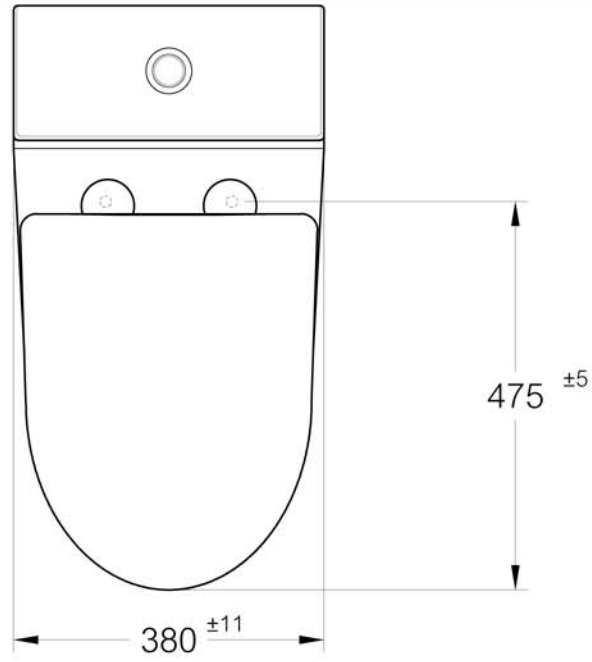


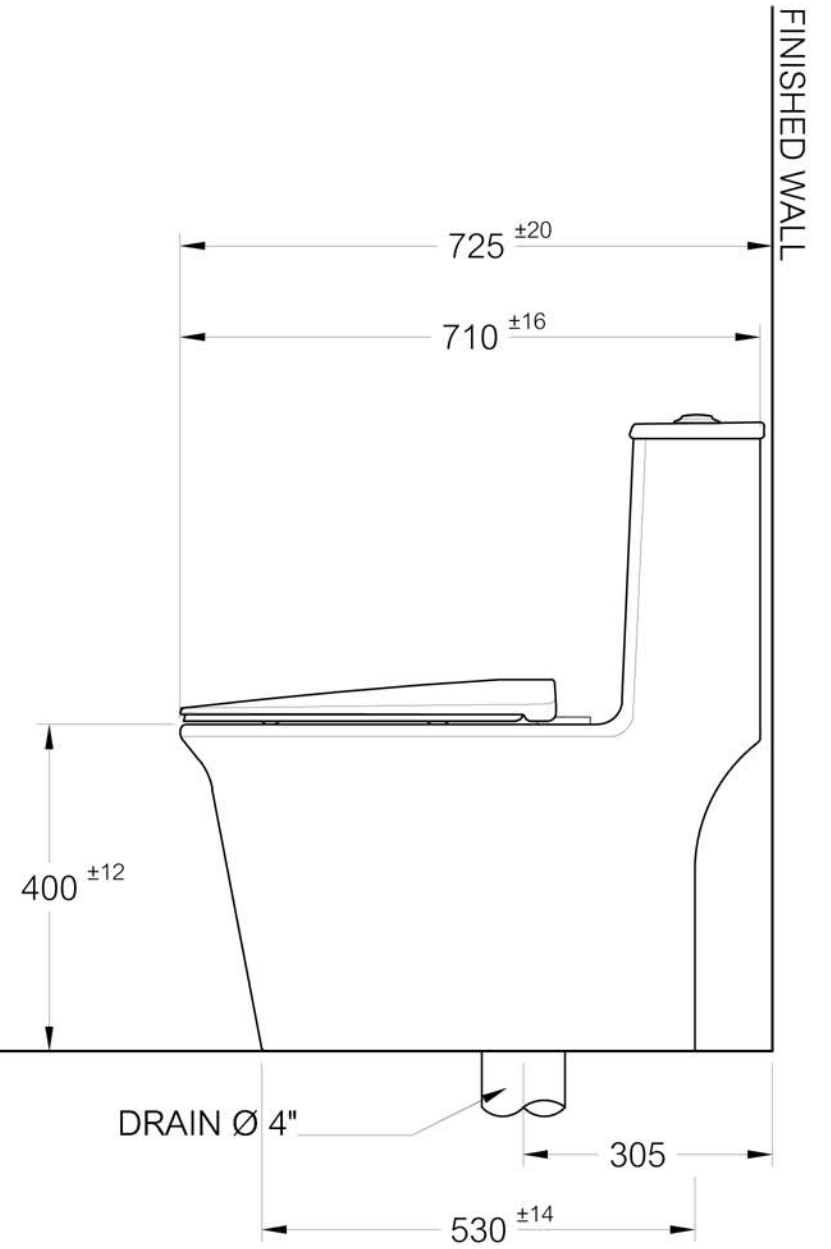
FINISHED WALL



WATER SUPPLY $\varnothing 1/2"$



FINISHED FLOOR



FINISHED WALL