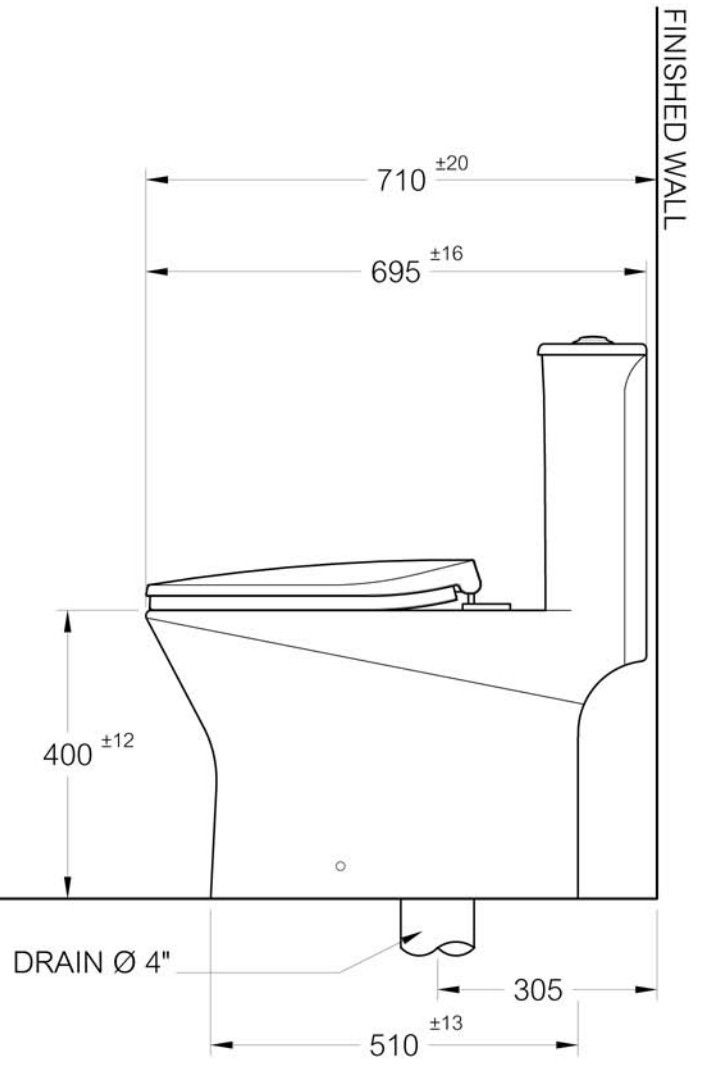
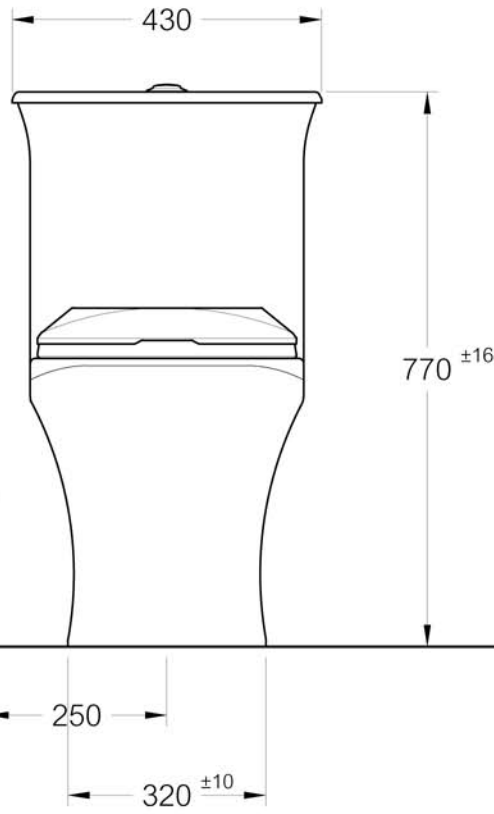
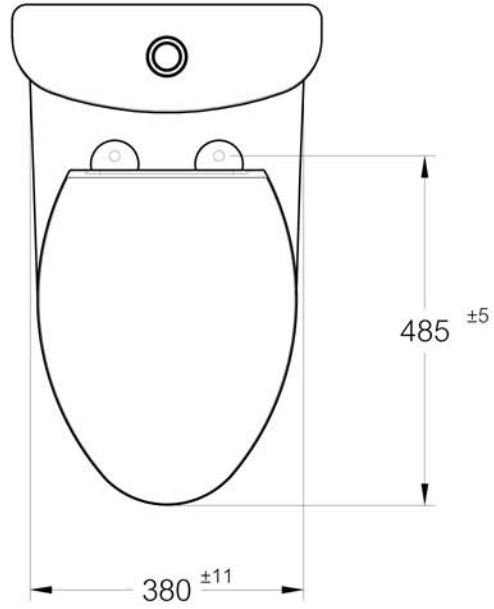


FINISHED WALL



WATER SUPPLY $\text{Ø } 1/2''$

FINISHED FLOOR

FINISHED WALL

DRAIN $\text{Ø } 4''$