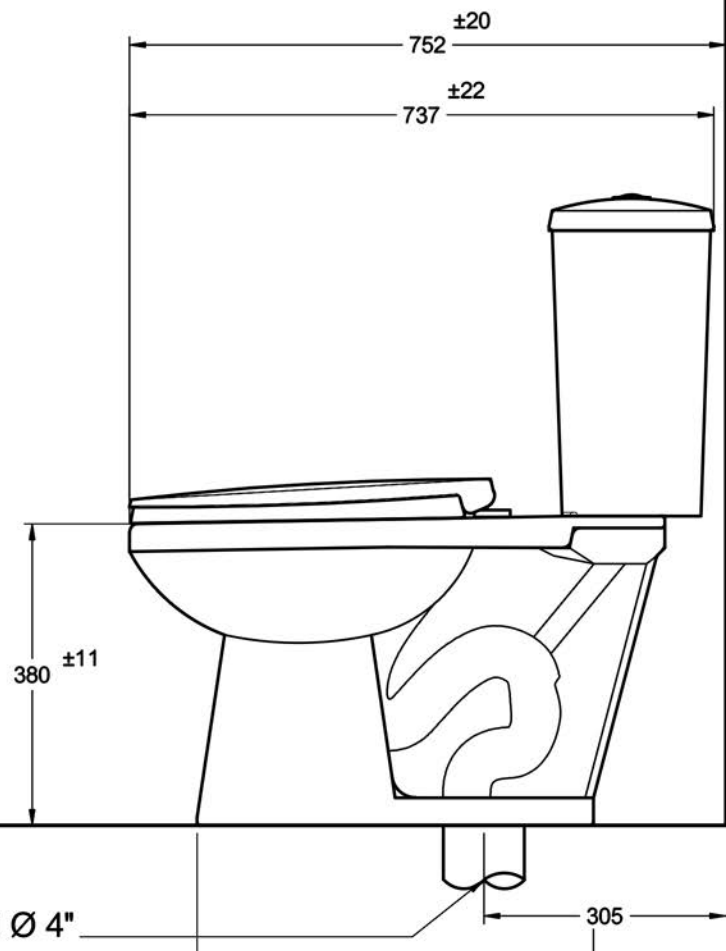


WATER SUPPLY  $\varnothing 1/2"$

FINISHED FLOOR



DRAIN  $\varnothing 4"$

305