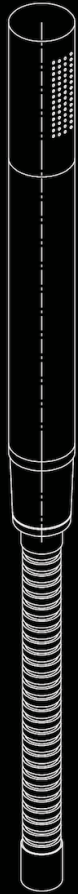
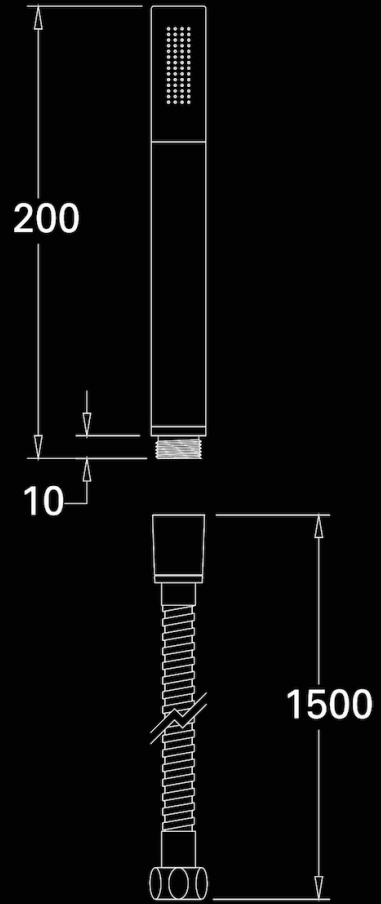




ISOMETRIC



FRONT VIEW



SIDE VIEW

