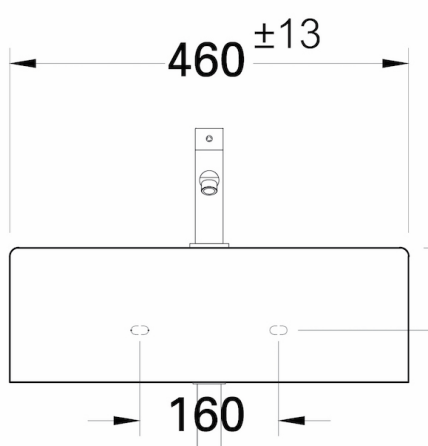
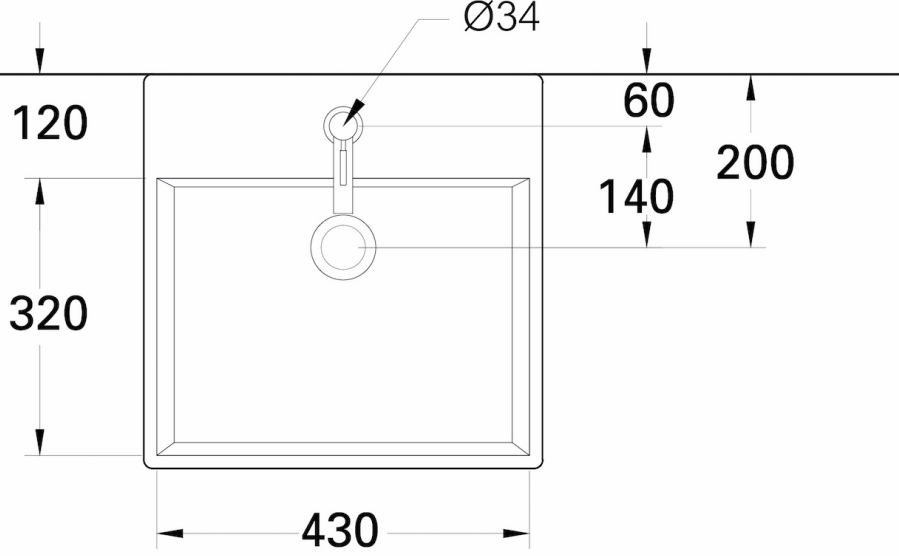
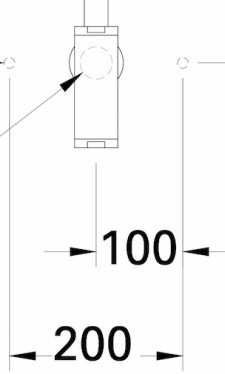


FINISHED WALL

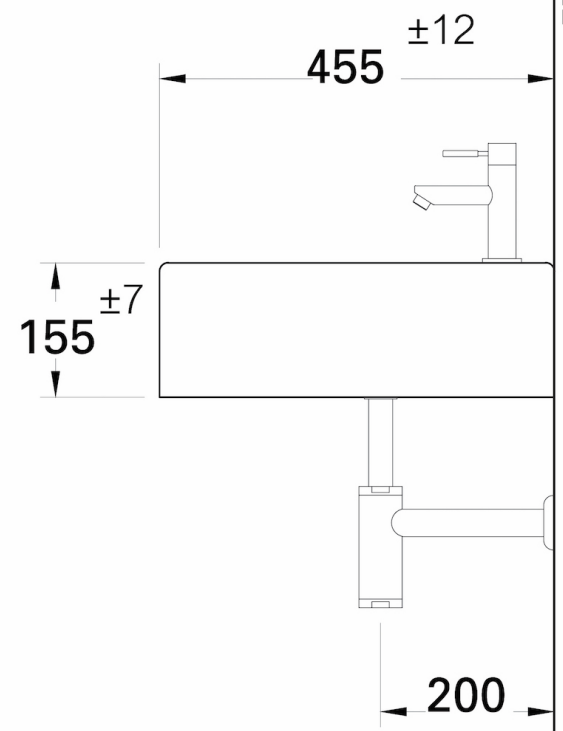


WATER SUPPLY $\text{Ø} 1/2"$

DRAIN $\text{Ø} 1 1/2"$



FINISHED WALL



FINISHED FLOOR