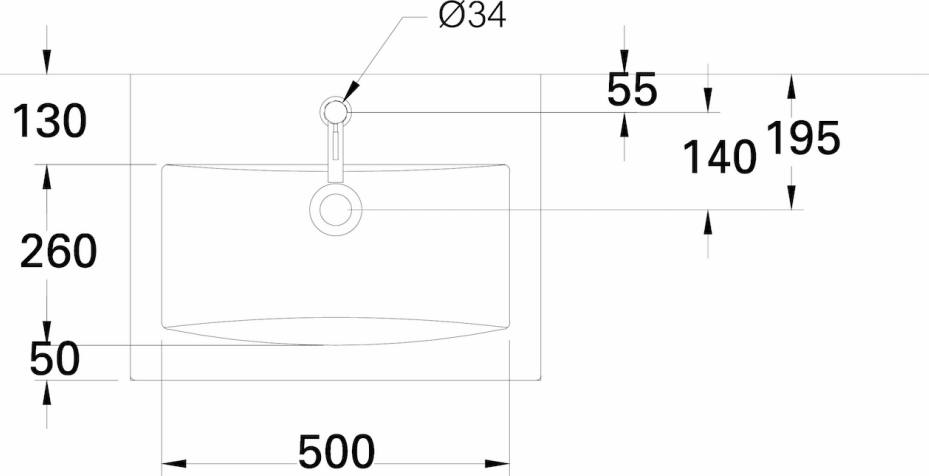
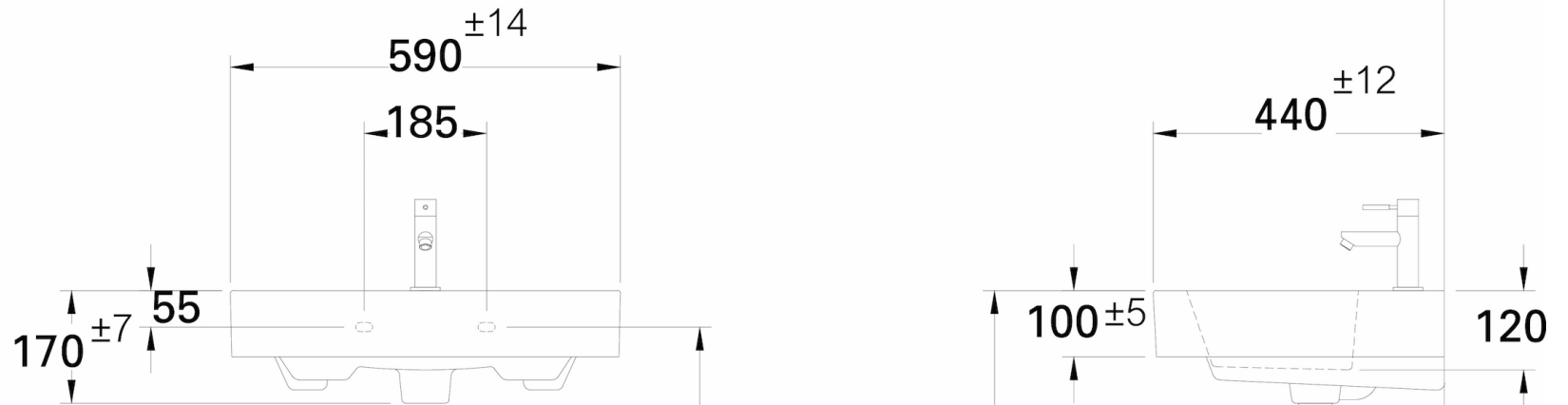


FINISHED WALL

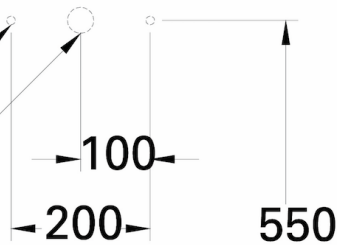


FINISHED WALL



WATER SUPPLY  $\varnothing 1/2"$

DRAIN  $\varnothing 1 1/2"$



850

195

FINISHED FLOOR