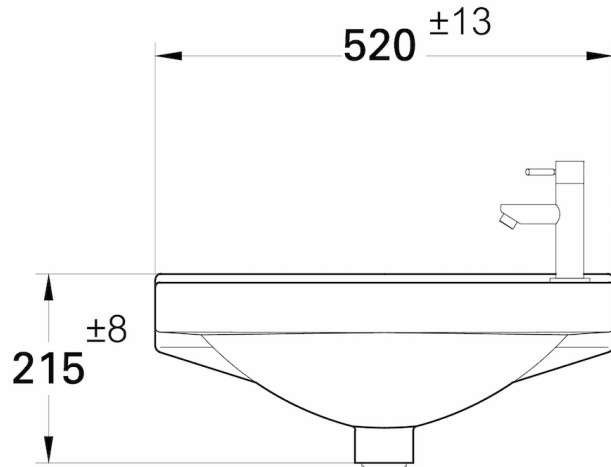
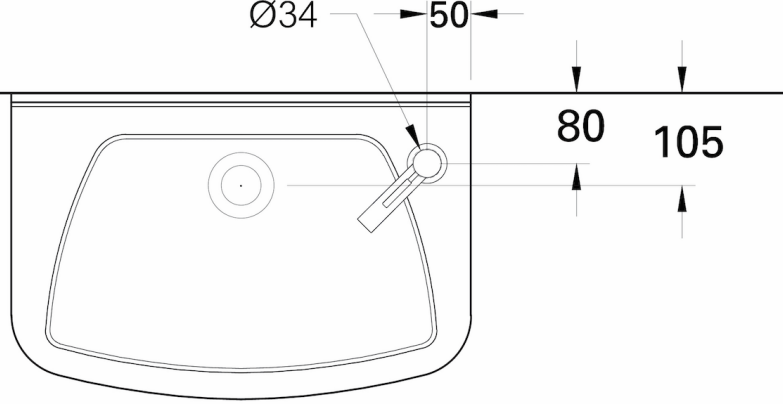
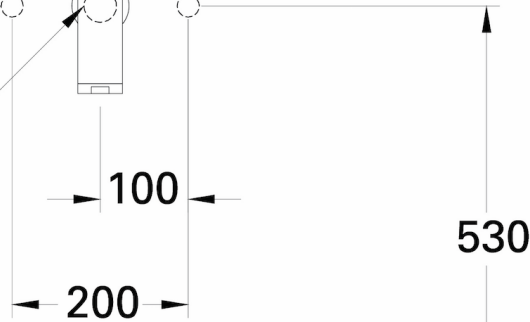


FINISHED WALL



WATER SUPPLY  $\text{Ø} 1/2''$

DRAIN  $\text{Ø} 1 1/2''$



FINISHED FLOOR

