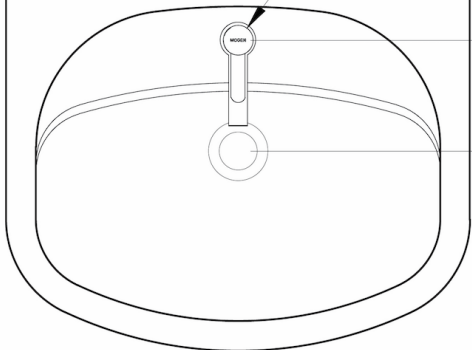


FINISHED WALL

Ø34



60

130

FINISHED WALL

545 ±14



175



WATER SUPPLY Ø 1/2"

DRAIN Ø 1 1/2"

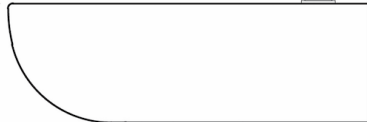
50

850

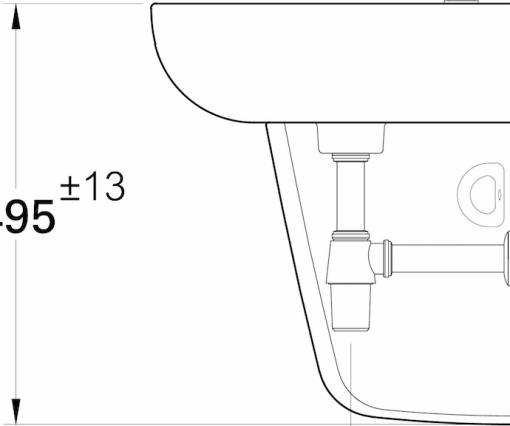
100

550 600

425 ±12



495 ±13



190

FINISHED FLOOR