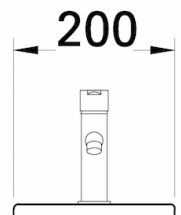
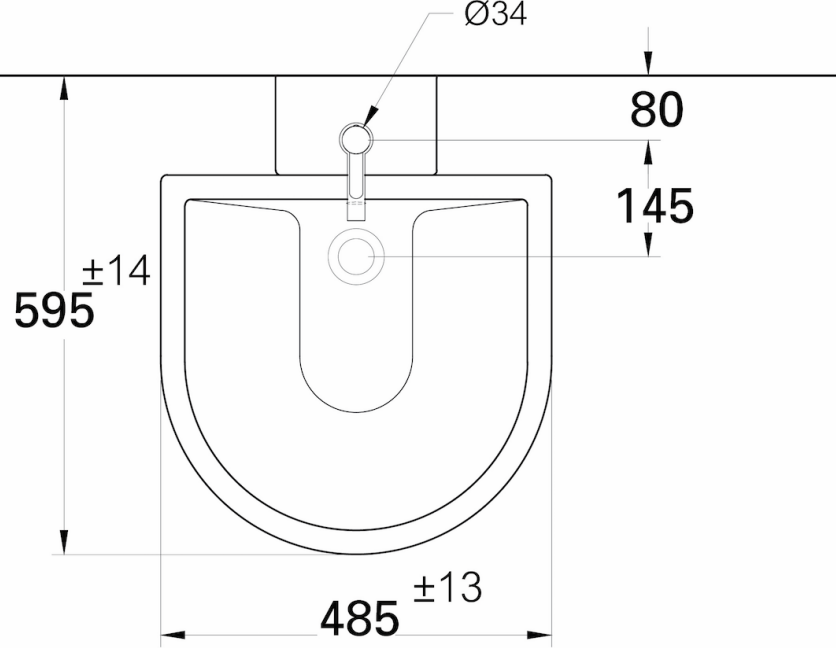
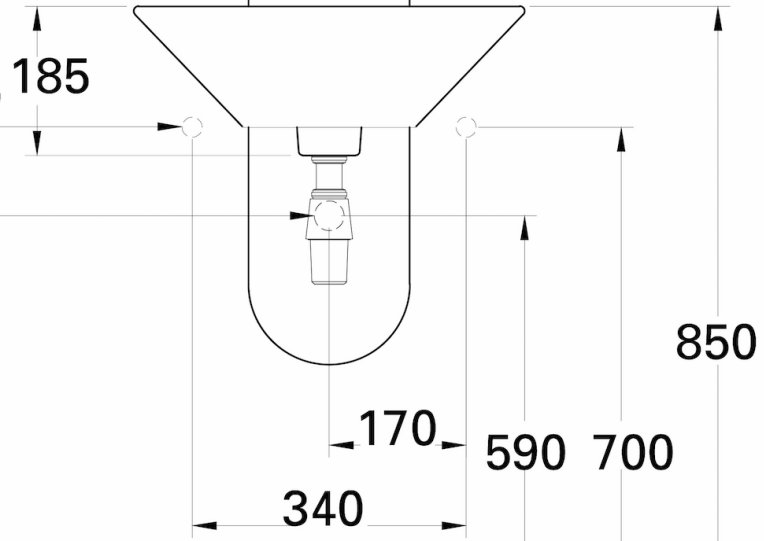


FINISHED WALL

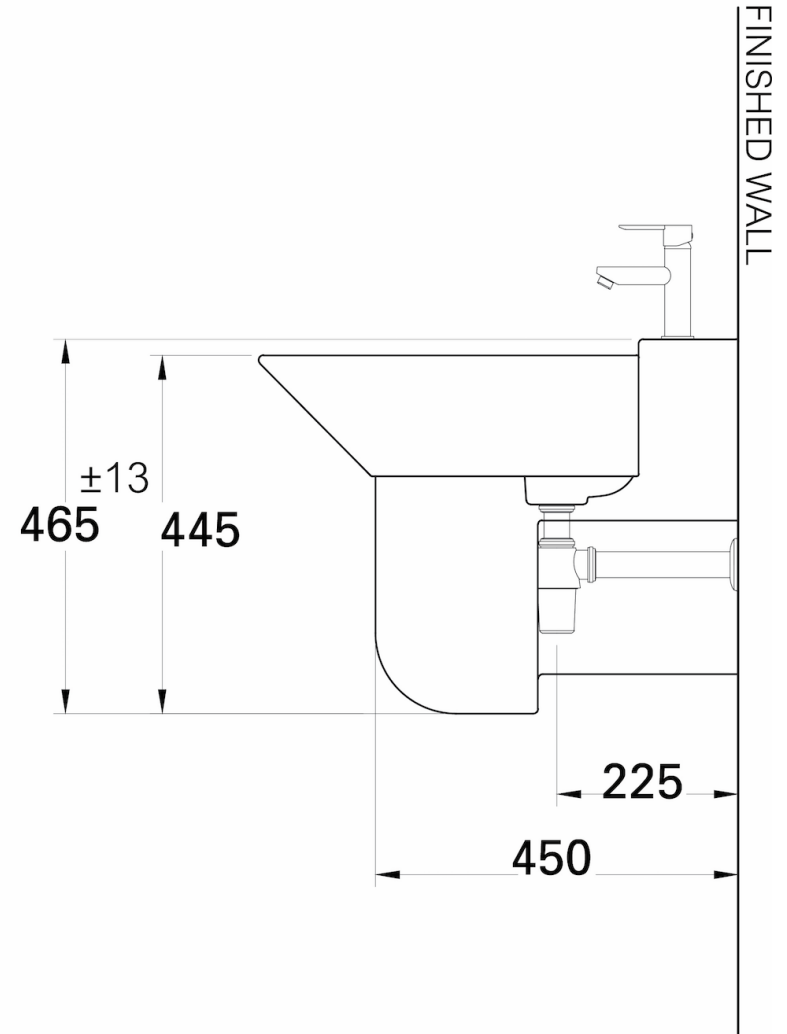


WATER SUPPLY Ø 1/2"



DRAIN Ø 1 1/2"

FINISHED FLOOR



FINISHED WALL