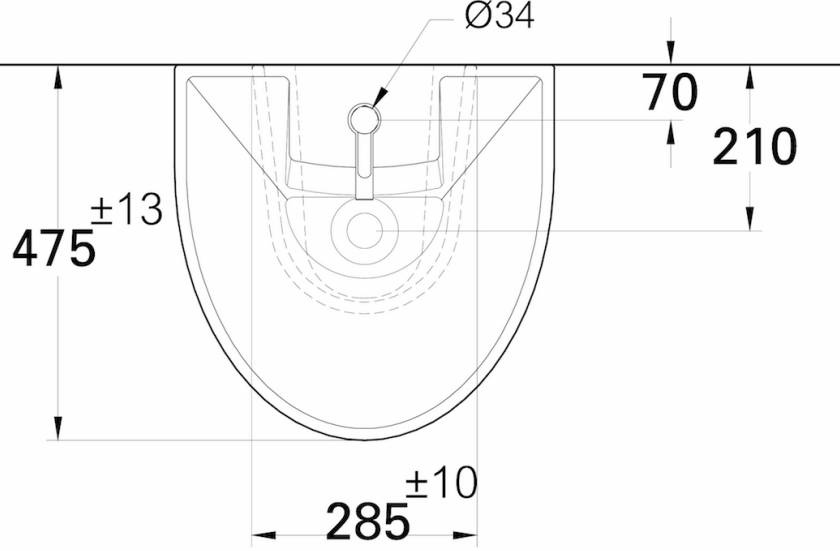
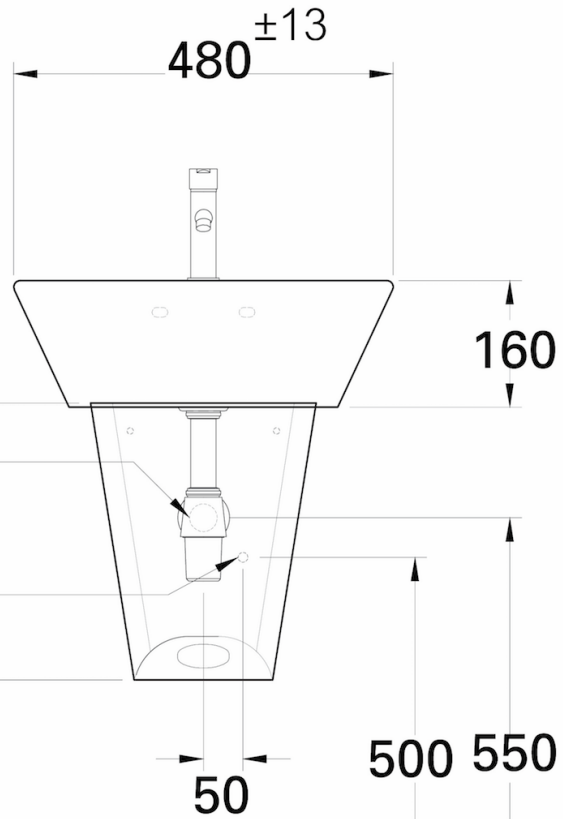


FINISHED WALL



DRAIN $\text{Ø} 1 \frac{1}{2}$ "

WATER SUPPLY $\text{Ø} \frac{1}{2}$ "



FINISHED FLOOR

