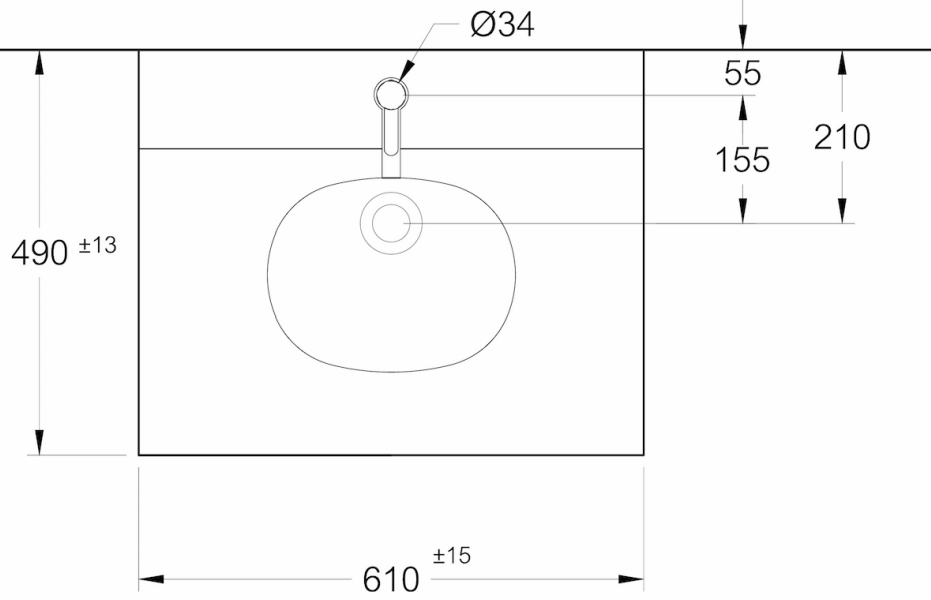
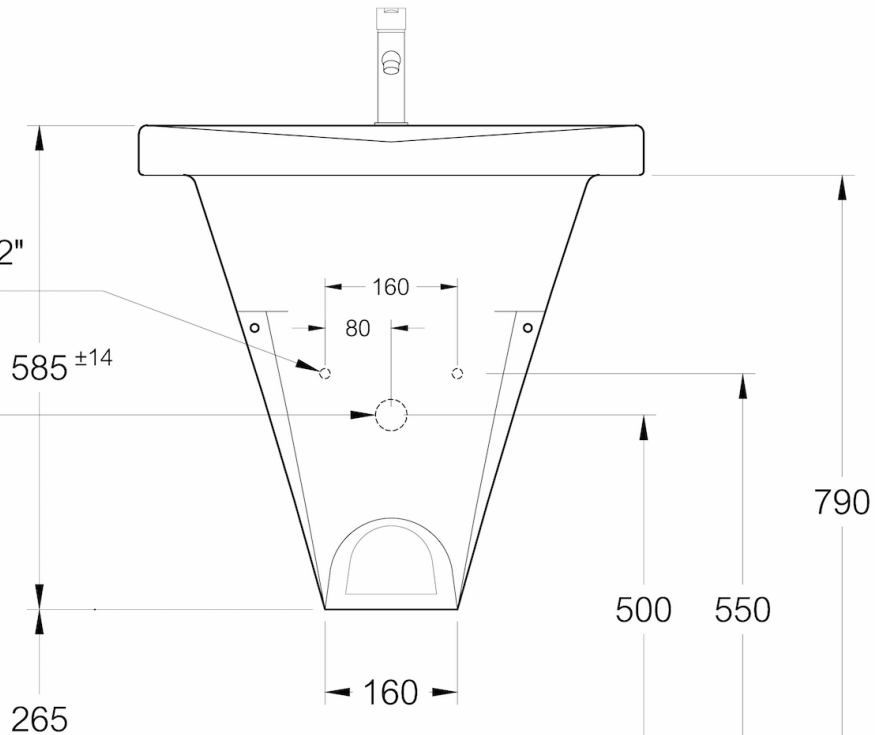


FINISHED WALL



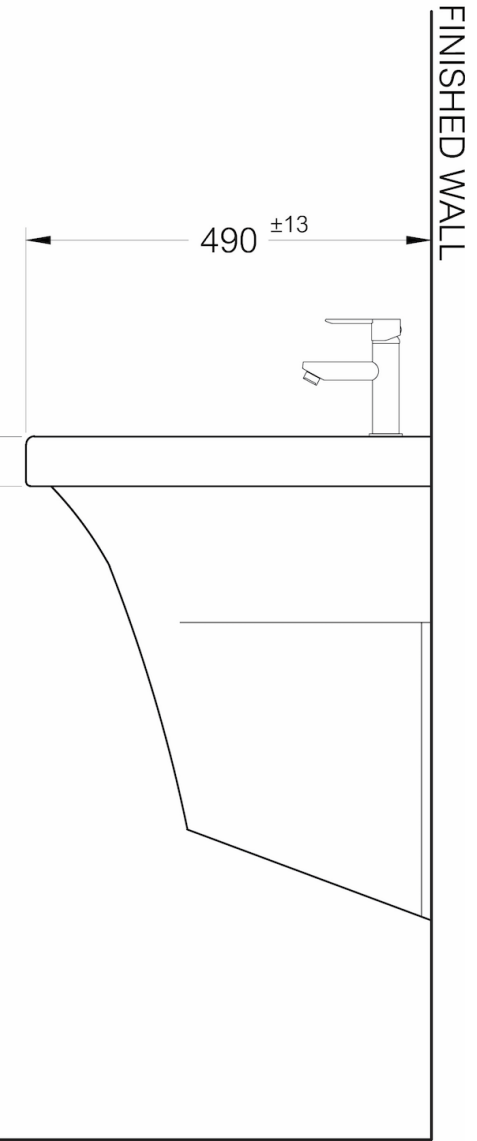
WATER SUPPLY Ø 1/2"

DRAIN Ø 1 1/2"



60

850



FINISHED FLOOR

FINISHED WALL