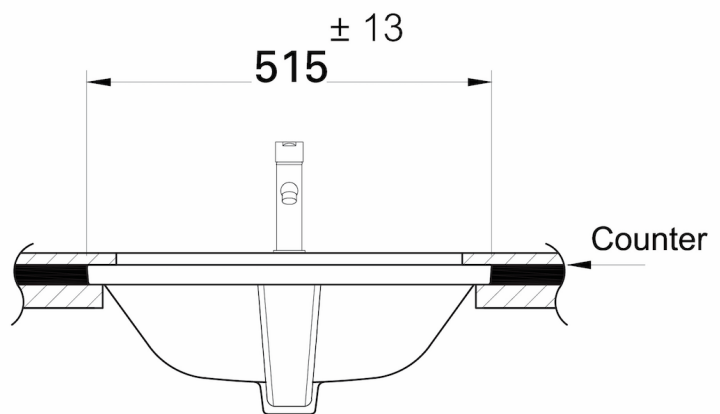
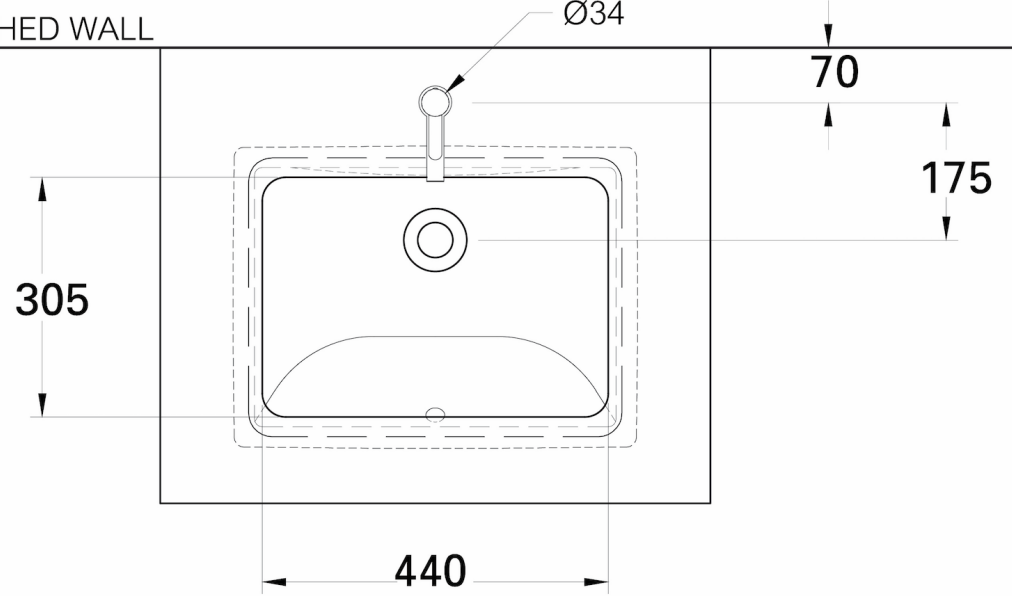
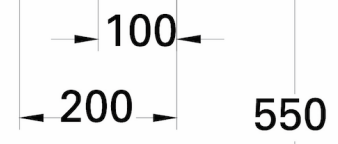


FINISHED WALL

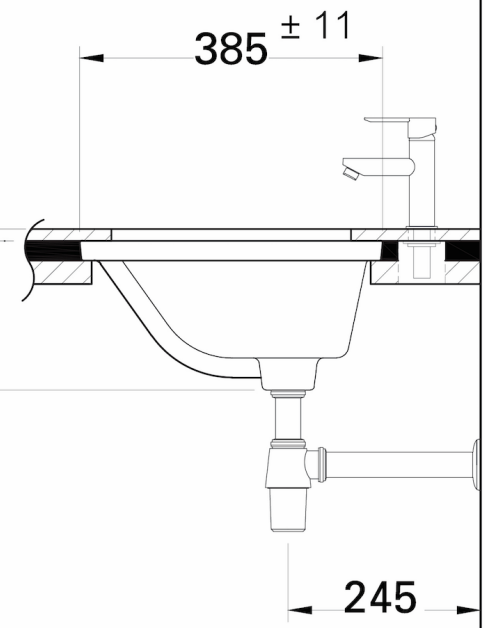


WATER SUPPLY Ø 1/2"

DRAIN Ø 1 1/2"



850



FINISHED WALL