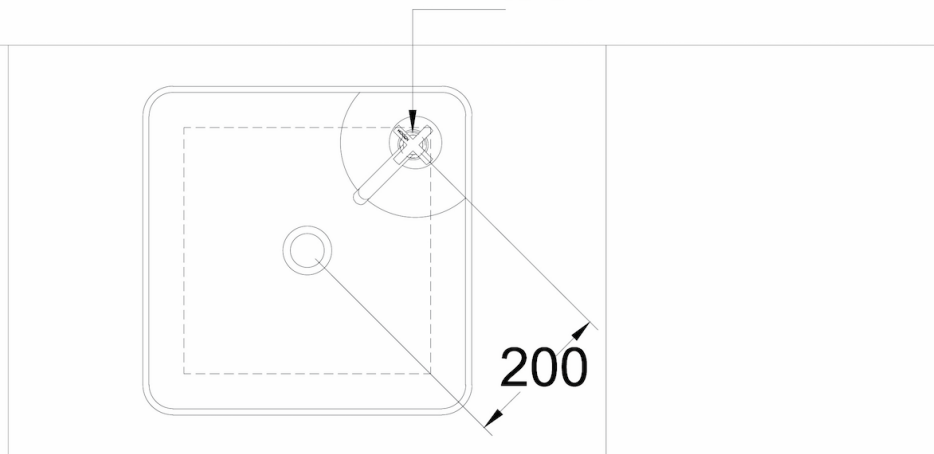


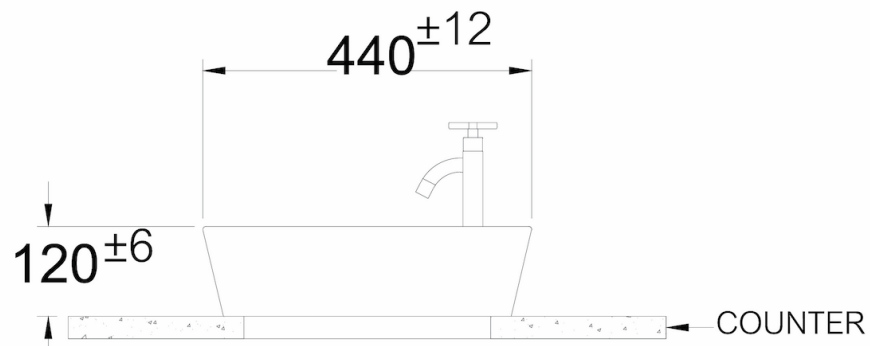
FINISHED WALL

Ø34



200

FINISHED WALL



440±12

120±6

COUNTER

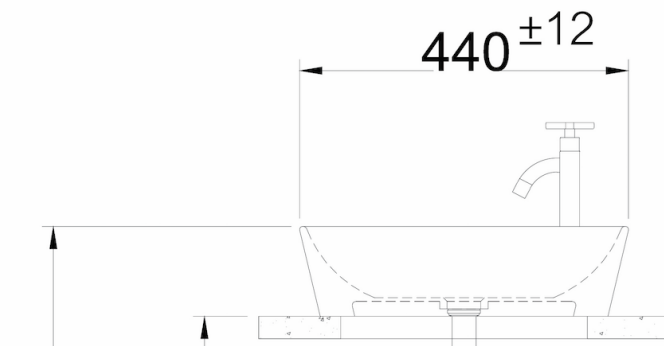
DRAIN Ø 1 1/2"

WATER SUPPLY Ø 1/2"

100

200

550



440±12

850

730

275

FINISHED FLOOR