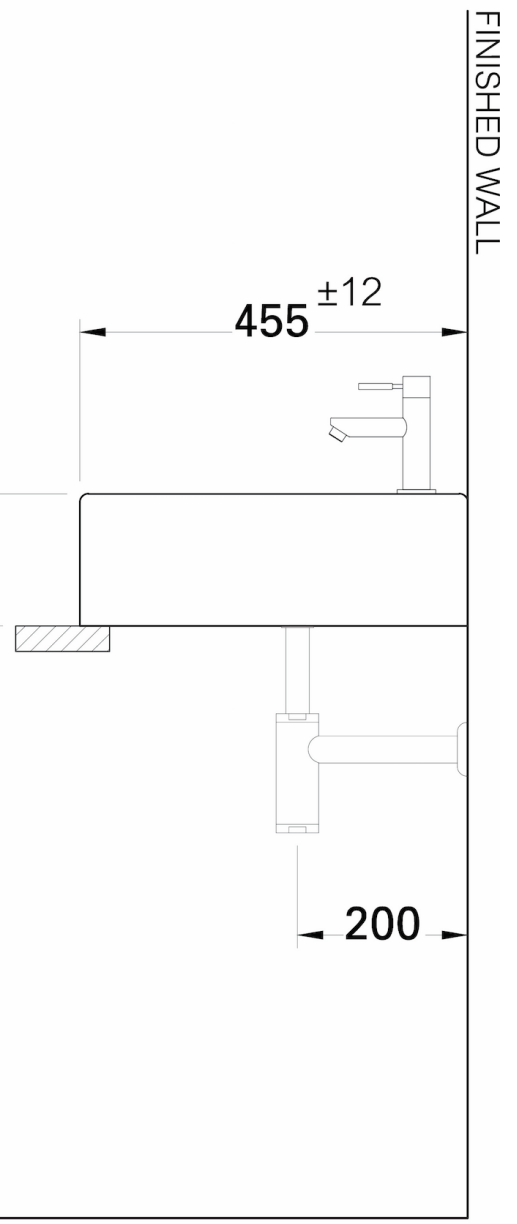
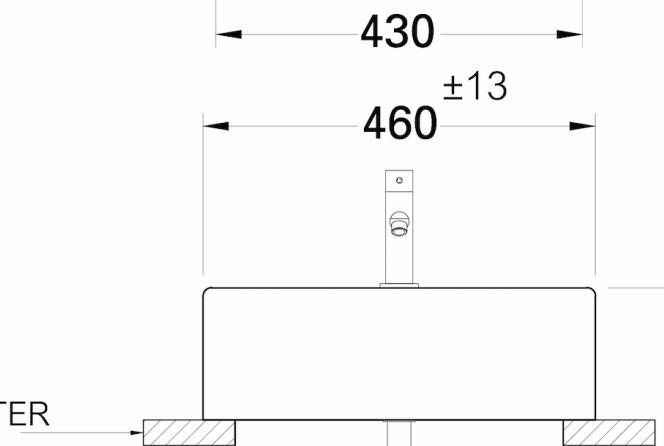
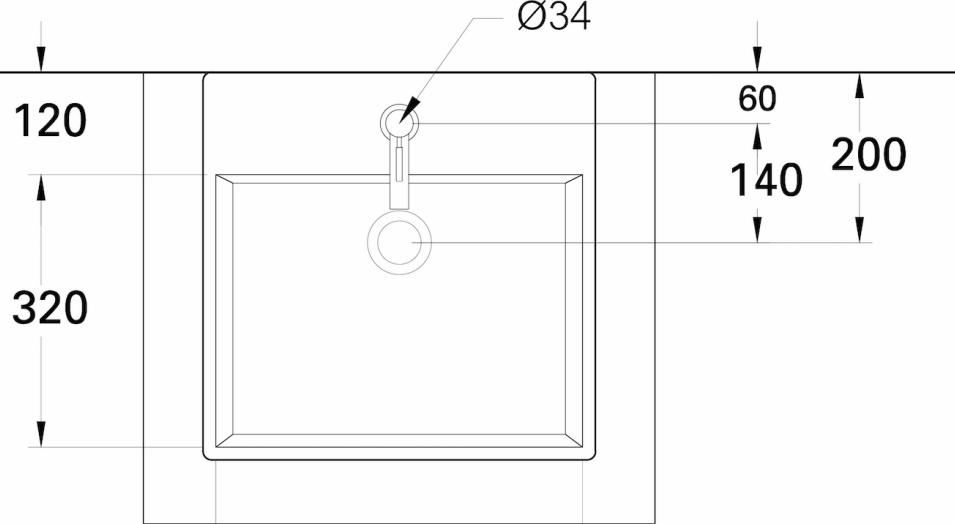


FINISHED WALL



FINISHED WALL

COUNTER

WATER SUPPLY  $\text{Ø} 1/2"$

DRAIN  $\text{Ø} 1 1/2"$

850

100

550

200

200

FINISHED FLOOR