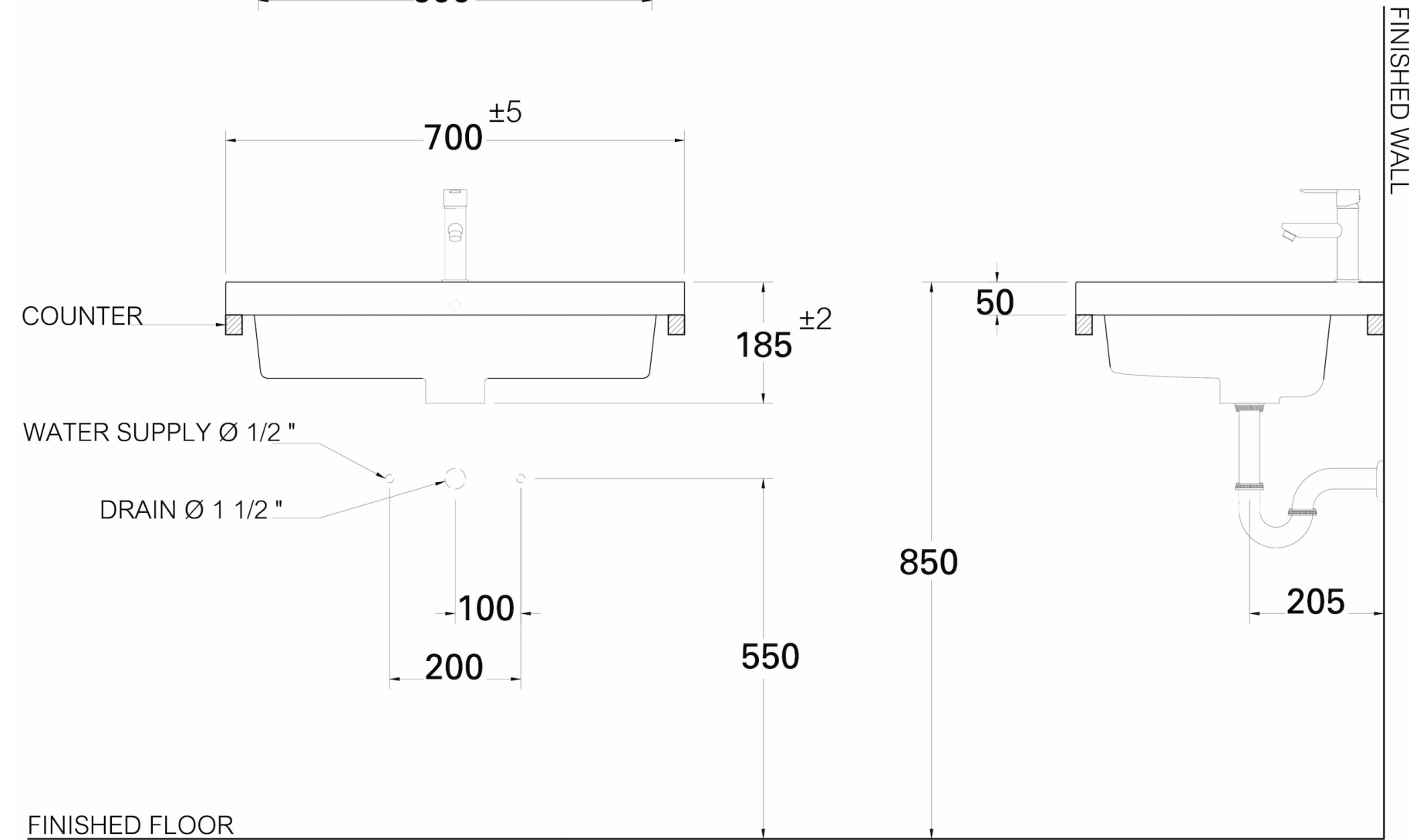
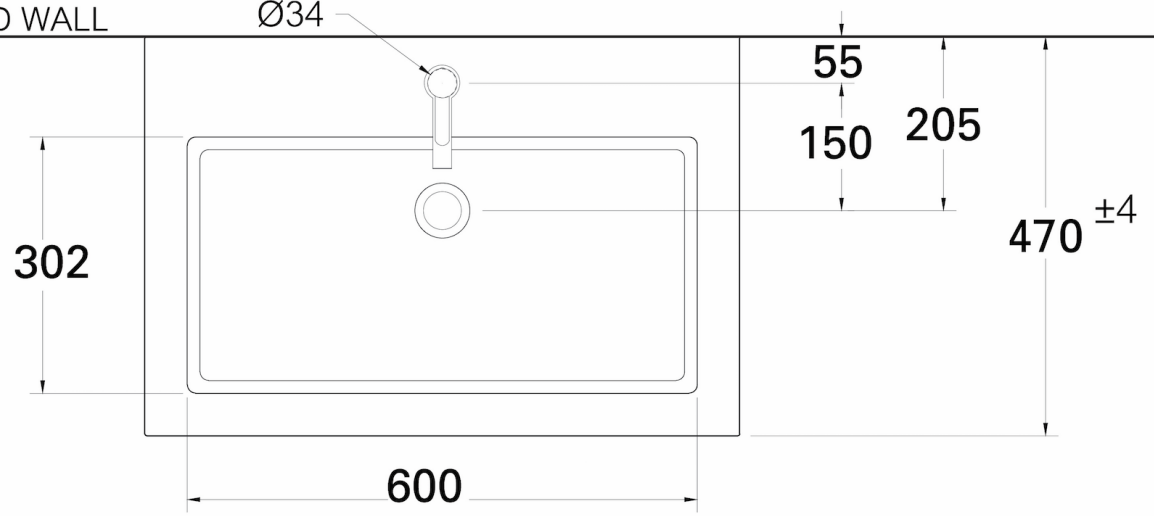


FINISHED WALL



COUNTER

WATER SUPPLY Ø 1/2 "

DRAIN Ø 1 1/2 "

FINISHED FLOOR

FINISHED WALL