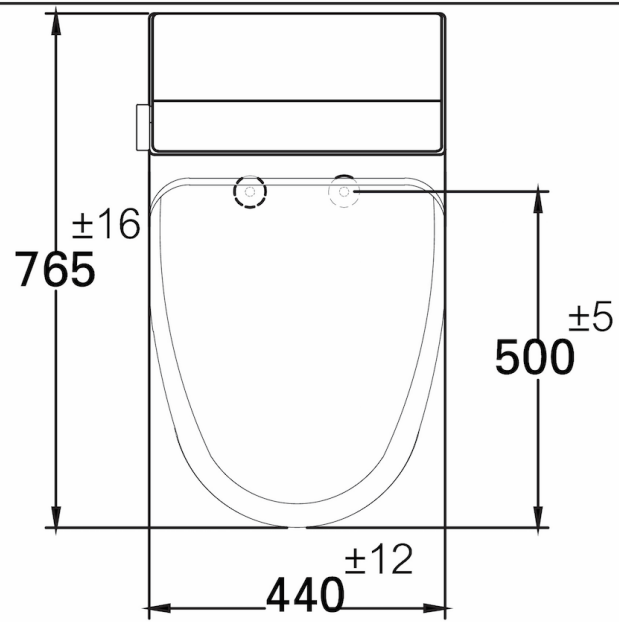


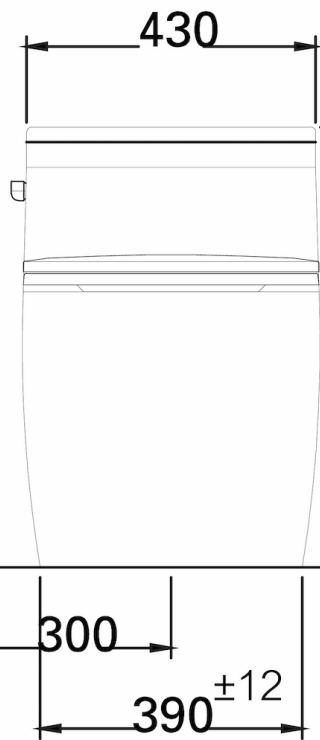
FINISHED WALL



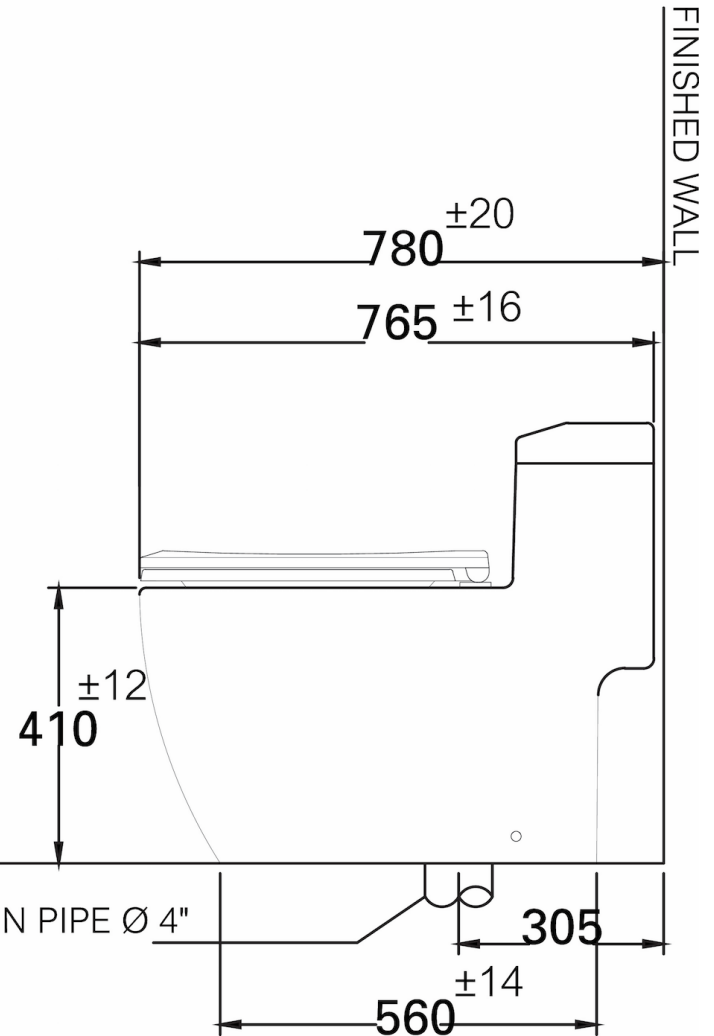
WATER SUPPLY Ø 1/2"

FINISHED FLOOR

200



DRAIN PIPE Ø 4"



FINISHED WALL