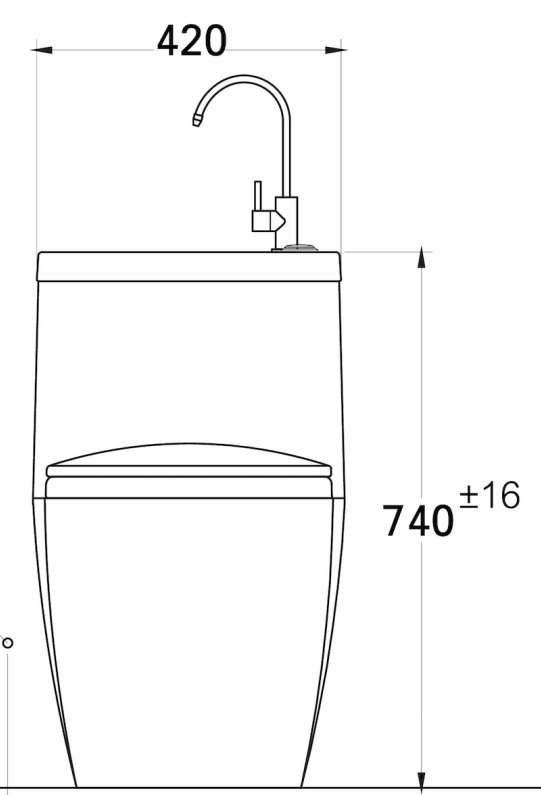
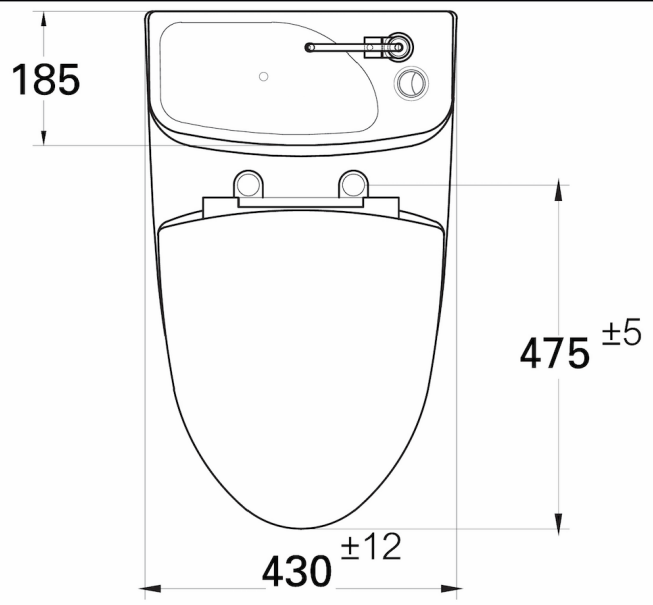
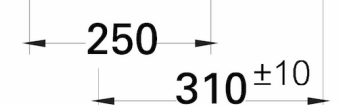


FINISHED WALL

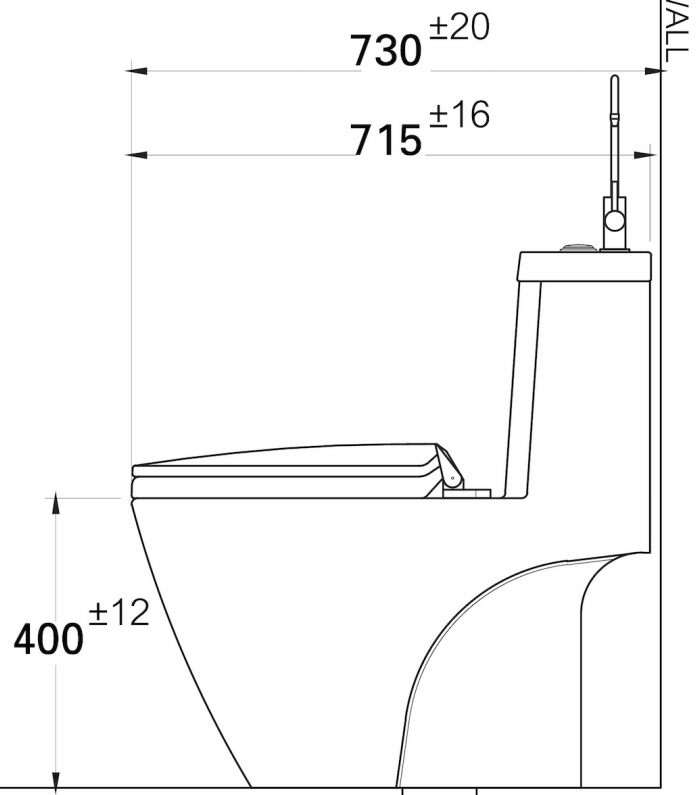


WATER SUPPLY Ø 1/2"

FINISHED FLOOR



FINISHED WALL



DRAIN Ø 4"

