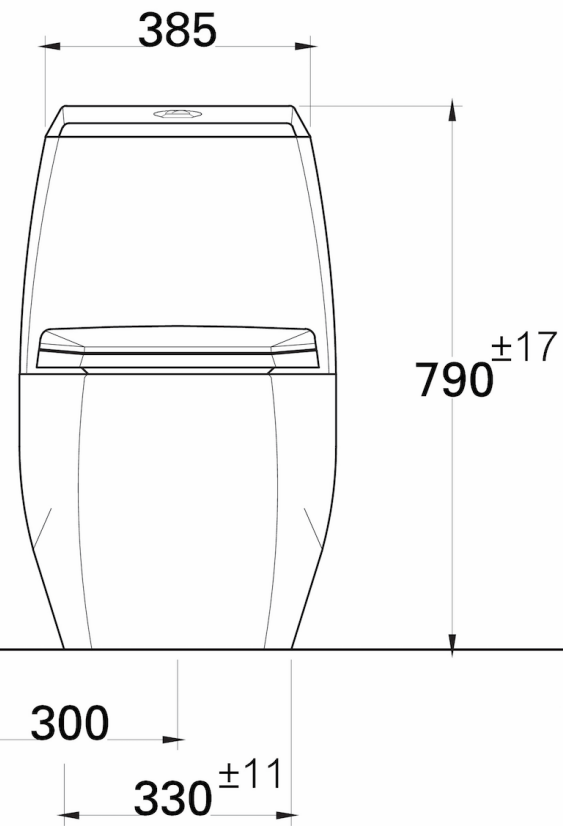
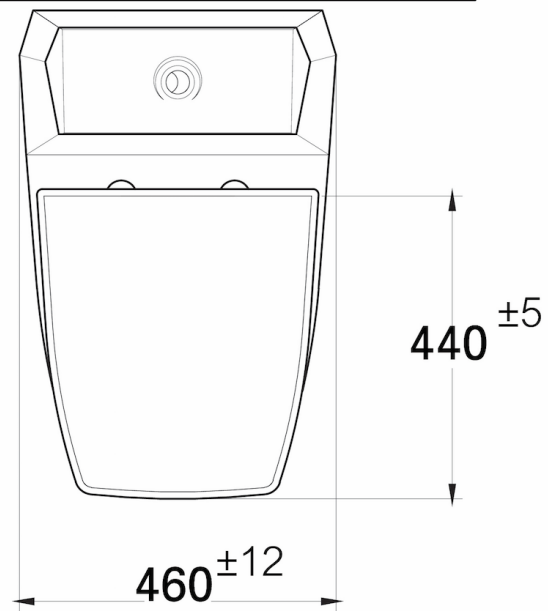


FINISHED WALL



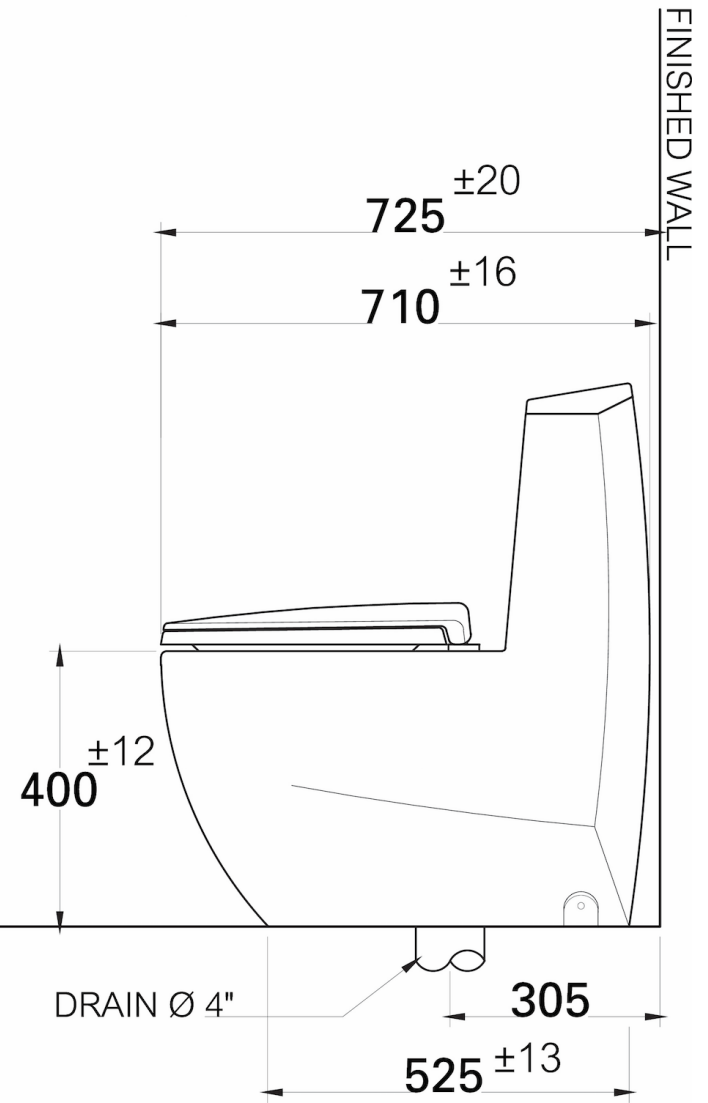
WATER SUPPLY \varnothing 1/2"

200

FINISHED FLOOR

300

$330^{\pm 11}$



FINISHED WALL

$725^{\pm 20}$

$710^{\pm 16}$

$400^{\pm 12}$

DRAIN \varnothing 4"

305

$525^{\pm 13}$