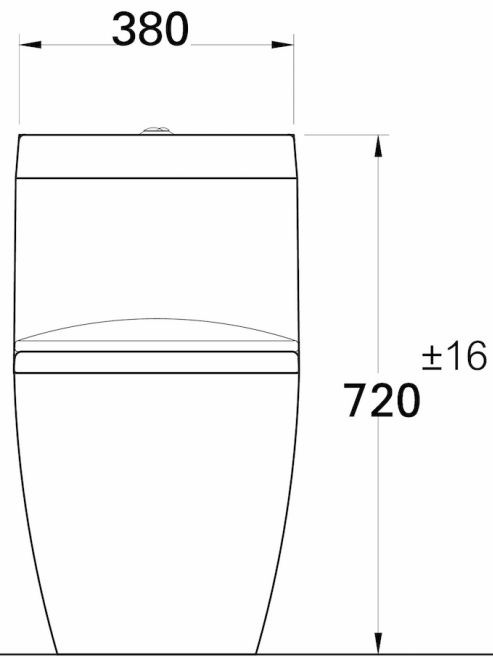
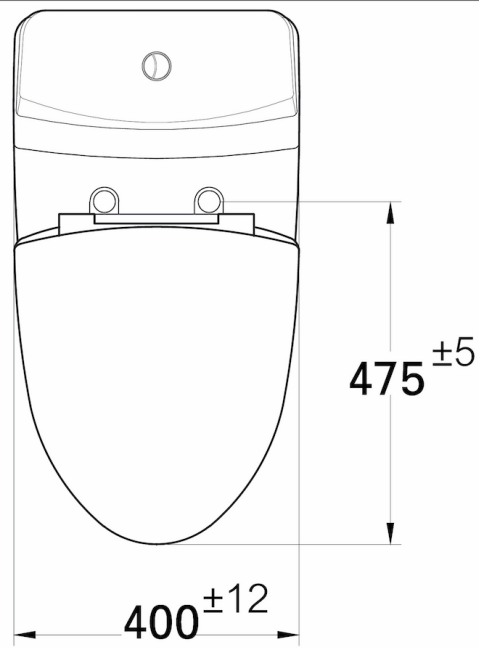
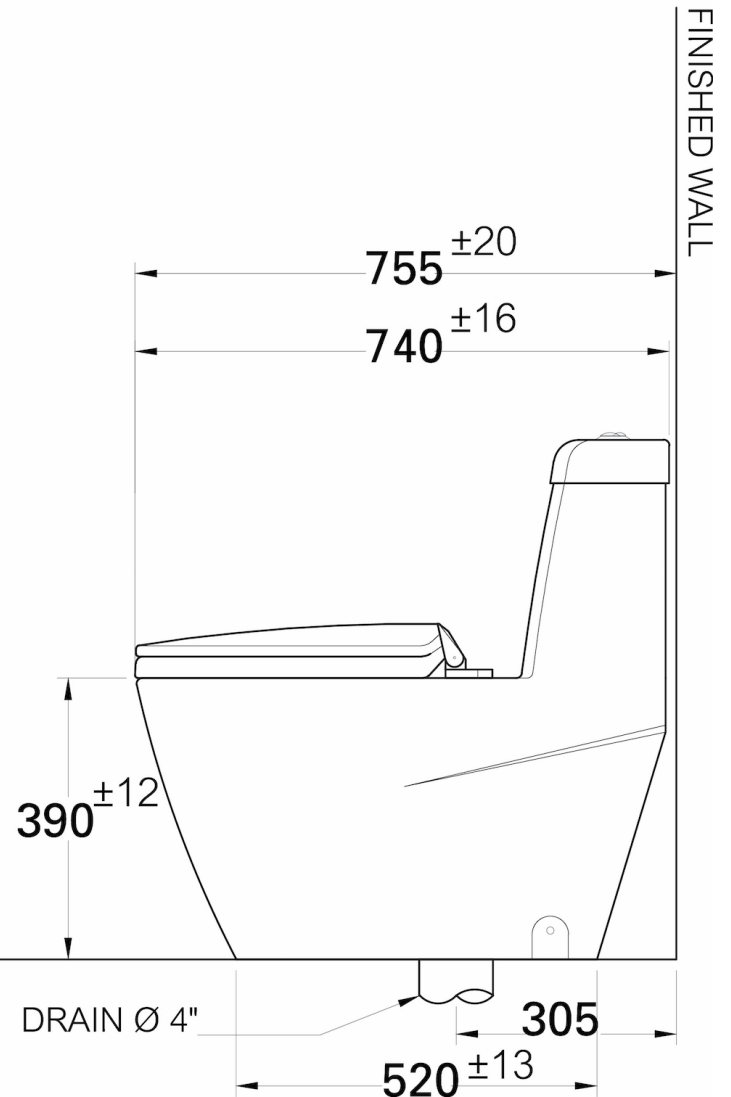
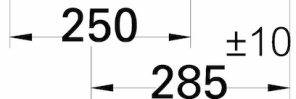


FINISHED WALL



WATER SUPPLY $\varnothing 1/2"$
200
FINISHED FLOOR



FINISHED WALL

DRAIN $\varnothing 4"$