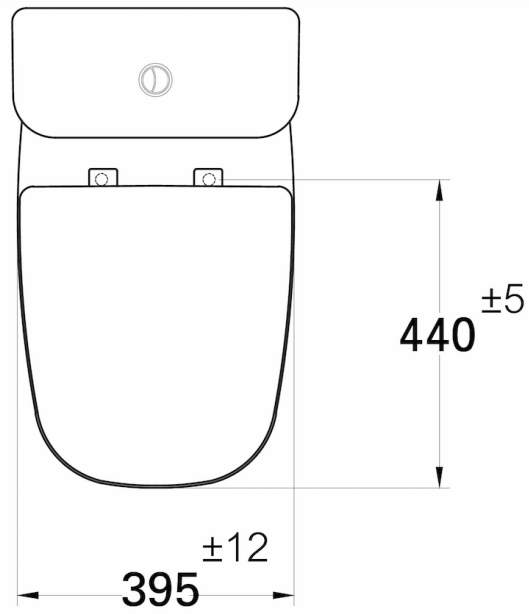


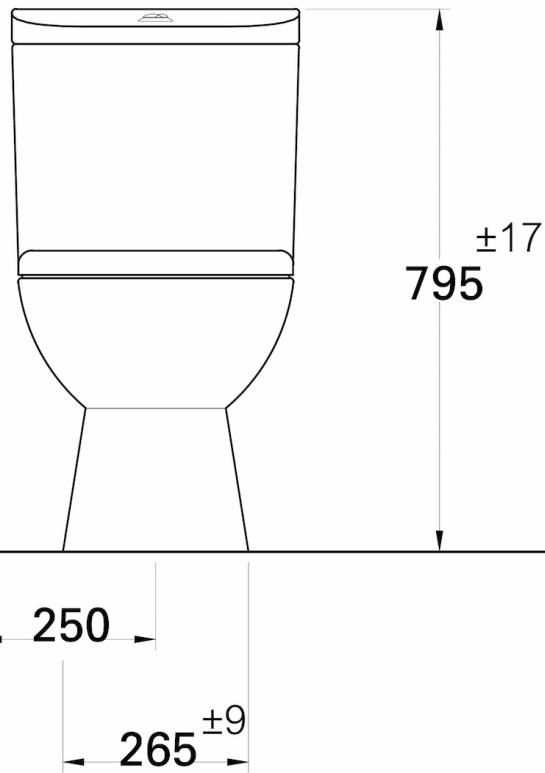
FINISHED WALL



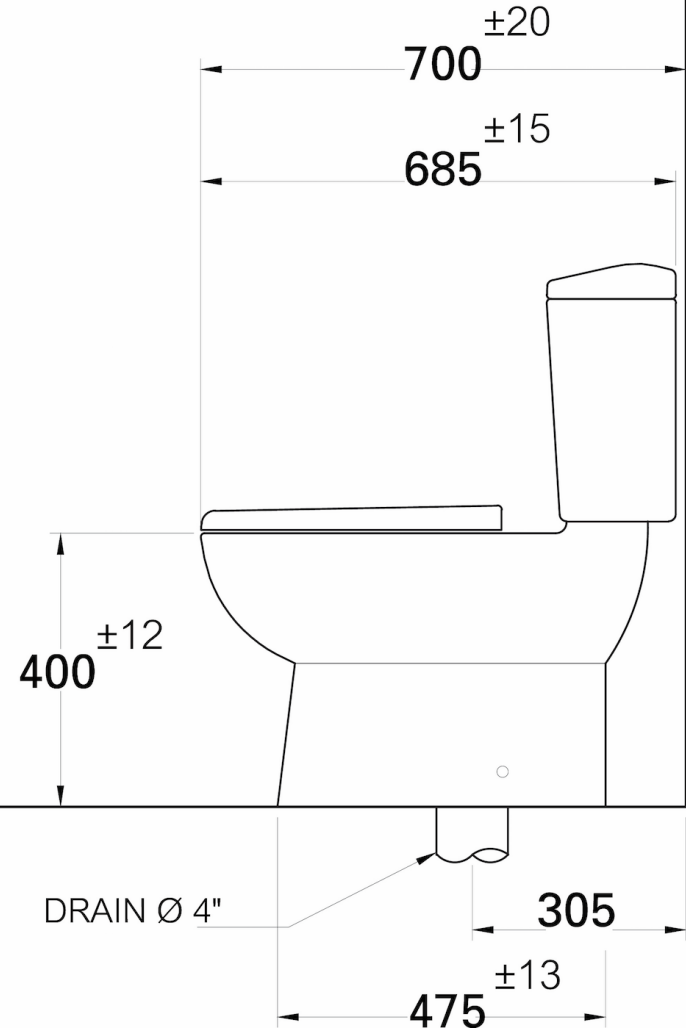
WATER SUPPLY Ø 1/2"

200

FINISHED FLOOR



FINISHED WALL



DRAIN Ø 4"